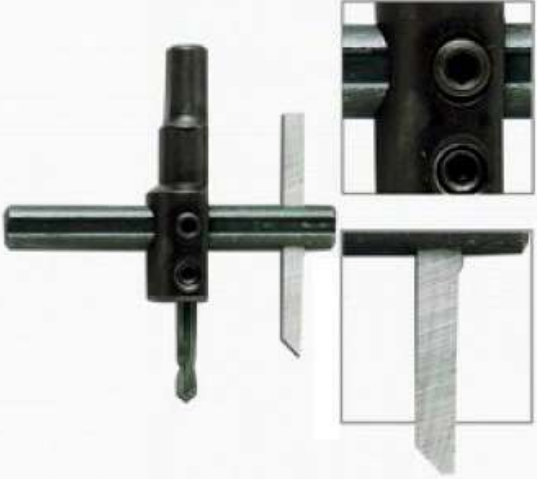


## CIRCLE CUTTER

Picture Description	Application	Stocked
 <p><b>12Y-10600</b></p>	<p>General's circle cutters produce precision circles in sheet metal, brass, copper, soft steel, aluminium, plastic, wood and composition materials. Bodies are constructed of heat treated tool steel for durability. All Circle Cutters have replaceable pilot points. The replaceable cutter blades are made of high-speed steel for precise and clean cuts. Circle Cutters are adjustable for cutting variable diameter holes. A hex wrench is included for diameter and depth adjustments.</p>	<p style="text-align: center;">*</p>

**\*Carried on the shelf**